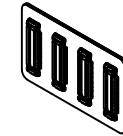
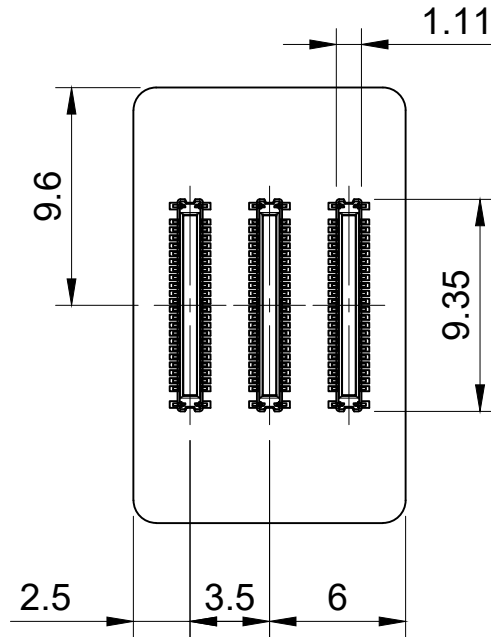
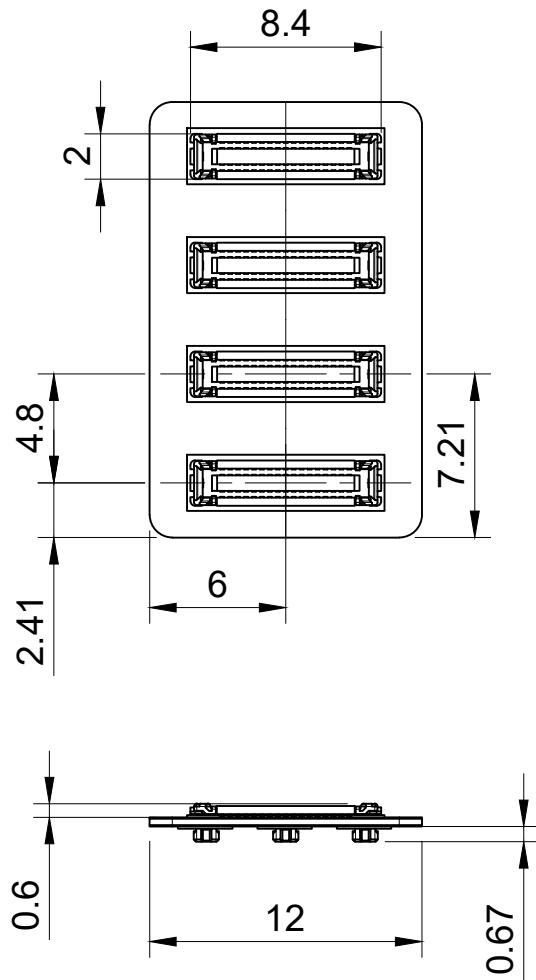


MATERIALS & SPECIFICATIONS

Actual Size



Unit	mm	Tolerance	Created By	
SCALE	3:1	Up to 5 : +/-0.1	Jason Shen	
3RD ANGLE		5-10: +/-0.3	Approved By	
		10-15: +/-0.5	James Huang	
Product	X6 to X3 quad 32ch EIB adapter		Model	
			Adpt-X6toX3	
DWG No.	Rev.	Date of issue	Sheet	
	V1	08/01/2022	1	

